



COMMERCIAL DOOR AND GATE OPERATORS SINCE 1969

MANUFACTURED BY V.E. POWER DOOR CO, INC.

2021 CATALOG



631.231.4500

WWW.POWERMASTERNY.COM

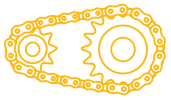
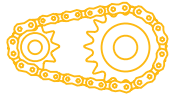


TABLE OF CONTENTS

Warranty Information	3
Amperage Rating Chart	4
Horsepower Selection Guide for Sectional Doors.....	5
Horsepower Selection Guide for Rolling Doors and Grilles	6
Door and Grille Applications.....	7-12
NEMA 4 and NEMA 7 & 9 Applications	13-15
Specialty Applications	16-18
Gate Size and Weight Table	19
Slide Gate Operators	20-22
Swing Gate Operators.....	23-25
Barrier Gate Operators.....	26
Weight Resource Guide.....	27
NEMA 1 Controls.....	28-30
NEMA 3R Controls	31
NEMA 4 Controls.....	32-34
NEMA 7 & 9 Controls	35



KNOW YOUR WARRANTY

MECHANICAL PARTS:

PowerMaster warrants all DOOR OPERATORS (MG, H, J, T, SL categories) to be free of defects in materials and workmanship for a period of two (2) years from date of manufacture, provided that product has been registered. A one year warranty applies if product has not been registered.

PowerMaster warrants all GATE OPERATORS (Swing, Slide, Barrier categories) to be free of defects in materials and workmanship for a period of five (5) years from date of manufacture, provided that product has been registered. A one year warranty applies if product has not been registered.

ELECTRICAL PARTS (including boards, switches, relays, etc):

PowerMaster warrants electrical parts for a two (2) year period, provided that product has been registered. A one year warranty applies if product has not been registered.

If any part is found to be defective during this period, new parts will be furnished free of charge. Failure of this product due to misuse, improper installation, alterations, vandalism, acts of God, or lack of maintenance is ***not*** covered under this warranty, and voids any other implied warranties herein.

PowerMaster is ***not responsible*** for any labor charges incurred in connection with the installation of warranted parts.

IMPORTANT!!

In order to activate this warranty, the registration form found with your operator **MUST BE COMPLETED AND RETURNED WITHIN THIRTY CALENDAR DAYS FROM DATE OF PURCHASE**. Visit our website at www.PowerMasterNY.com and click on the ***Register your Product*** link.

You can also register via email to PMtech@PowerMasterNY.com.

If registration is not activated, a **ONE YEAR** warranty from date of manufacture will apply for all claims.


SINGLE PHASE	HORSEPOWER	115 VOLTS	220 VOLTS
	1/2 HP	10 AMP	5 AMP
	3/4 HP	12 AMP	8 AMP
	1 HP	15 AMP	10 AMP
	1-1/2 HP	20 AMP	12 AMP

THREE PHASE	HORSEPOWER	230 VOLTS	460 VOLTS
	1/2 HP	2.4 AMP	1.2 AMP
	3/4 HP	3.4 AMP	1.7 AMP
	1 HP	3.8 AMP	1.9 AMP
	1-1/2 HP	4.6 AMP	2.3 AMP
	2 HP	6.8 AMP	3.4 AMP
	3 HP	8.4 AMP	4.2 AMP

CYCLES PER HOUR GUIDE: DOOR OPERATORS

LIGHT DUTY OPERATORS (MH, MJ, MT)	UP TO 10 CYCLES PER HOUR
STANDARD, BELT-DRIVEN OPERATORS (H, J, T)	UP TO 30 CYCLES PER HOUR
STANDARD, GEAR-REDUCED OPERATORS (MG, GT)	UP TO 45 CYCLES PER HOUR
HI-CYCLE MODIFIED OPERATOR	APPROX. 60 CYCLES PER HOUR

HORSEPOWER SELECTION GUIDE FOR SECTIONAL DOORS

		MAXIMUM SQUARE FOOTAGE				
MODEL	HP	FIBERGLASS	24GA STEEL, 22GA STEEL, ALUMINUM	20GA STEEL WOOD, 24GA STEEL INSULATED	16GA STEEL, 20GA STEEL INSULATED	16GA STEEL INSULATED
T,J,H	1/2	360	325	260	230	180
	3/4	480	450	400	310	230
H	1	585	540	490	390	280
GT	1/2	400	350	320	250	200
	3/4	560	500	450	325	250
	1	625	575	520	400	300
APT	1/2	360	325	260	230	180
MT	1/2	300	270	200	160	120

NOTES:

- USE 24 GAUGE LIMITS FOR ALUMINUM SERVICE DOOR.
- ALWAYS CHOOSE H OR MG UNITS FOR DOORS THAT ARE TOO LARGE FOR MANUAL OPERATION.
- DOORS AND BALANCE SPRINGS MUST BE IN GOOD OPERATING CONDITION AND MUST BE ADJUSTED TO MANUFACTURER'S SPECIFICATIONS.
- DO NOT ATTEMPT TO COMPENSATE FOR A DOOR WITH IMPROPER INSTALLATION AND/OR BALANCE SPRINGS.
- THIS CHART IS BASED UPON DOOR TRAVEL OF APPROXIMATELY 8 INCHES PER SECOND. DOORS TRAVELING IN EXCESS OF 8 INCHES PER SECOND REQUIRE INCREASED HP RATING OR DECREASED MAXIMUM SQUARE FOOTAGE RATING.
- HIGH CYCLE AND OTHER SPECIAL MODIFICATIONS HAVE DIFFERENT NEEDS.

HORSEPOWER SELECTION GUIDE FOR ROLLING DOORS & GRILLES

powermaster		MAXIMUM SQUARE FOOTAGE								
MODEL	HP	24GA	22GA	20GA	18GA	INSULATED	STEEL GRILLE	ALUM GRILLE	STEEL COUNTER SHUTTER	ALUM COUNTER SHUTTER
MGJ	1/2						120	140	100	135
GJ	1/2	135	125	120			135	160	125	140
H&J	1/2	275	250	225	170	130	260	350	250	
	3/4	340	310	290	215	165	340	450		
D-MG	1/2	290	260	240	190	150	280	400		
MG	1/2	290	260	240	190	150	280	400		
	3/4	370	320	300	240	180	375	550		
	1	440	360	340	270	200	480	640		
	1 1/2		460	430	360	260	620			
	2			560	480	350				
	3			840	700	520				
	5			1200	920	780				
	7 1/2			1500	1100	950				

NOTES:

- ▶ Use 24 gauge limits for aluminum service door.
- ▶ Always choose H or MG units for doors that are too large for manual operation
- ▶ Doors and balance springs MUST be in good operating condition, and must be adjusted to manufacturer's specifications.
- ▶ Do not attempt to compensate for a door with improper installation and/or balance springs.
- ▶ This chart is based upon door travel of approx 8 inches per second. Doors traveling in excess of 8 inches per second require increased HP rating, or decreased maximum sq footage rating.
- ▶ High cycle and other special modifications have different needs.

THIS CHART IS INTENDED AS A GUIDELINE ONLY. PLEASE CONSULT FACTORY FOR PROPER APPLICATION, OR FOR SIZES NOT LISTED ON THIS CHART.

GATE SIZE AND WEIGHT TABLE



SLIDE GATE OPERATORS

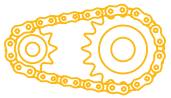
MODEL#	ITEM#	CYCLES PER HR	VOLTAGE & PHASE	MAX GATE WEIGHT	MAX LEAF WIDTH
RSG	11-71004	10	115V, 1 PH	350#	14'
D-CSG	15-12004	25		1200#	30'
SG	15-71004	30	115V, 1 PH	1500#	50'
D-SG	15-72004	60		2000#	50'
SGL	19-71004	45	115V, 1 PH	2000#	80'

SWING GATE OPERATORS

MODEL#	ITEM#	CYCLES PER HR	VOLTAGE & PHASE	MAX GATE WEIGHT	MAX LEAF WIDTH
ASW	12-71001	50		800#	15'
RSW	11-71000	12	115V, 1 PH	350#	12'
MSW	12-71000	24	115V, 1 PH	800#	16'
DSW	13-12000	60		2000#	18'
CSWI	20-71000	45	115V, 1 PH	1800#	30'
DSWI	20-21001	60		2000#	30'

BARRIER GATE OPERATORS

MODEL#	ITEM#	CYCLES PER HR	MAX ARM LENGTH
D-SBG	17-12000	Continuous	16'
D-WBG	18-12051	Continuous	24'



SLIDE GATE OPERATORS

The PowerMaster Commercial Gate Operator line includes solutions for swing, slide, and traffic barrier applications. These operators are all UL 325 listed for use in Class I through Class IV applications.

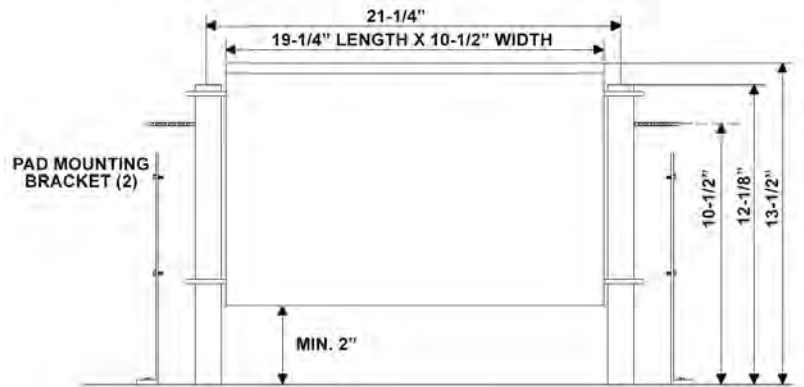
RSG



HORSEPOWER	1/2	MAX GATE WIDTH	14 FT
POWER OPTIONS	115V, 1PH	MAX CYCLES	10 CPH
BATTERY BACKUP	NO	TRAVEL SPEED	12 INCHES/SEC.
MAX GATE WEIGHT	350 LBS	SHIPPING WEIGHT (APPROX.)	90 LBS

PowerMaster Model RSG Slide Gate Operator. Designed for use in Residential, Commercial, Industrial and Restricted Access applications.

- PSC motor
- Timer to Close
- Dual gate option
- Left/Right changeover in field
- NEMA 1 one-button control station



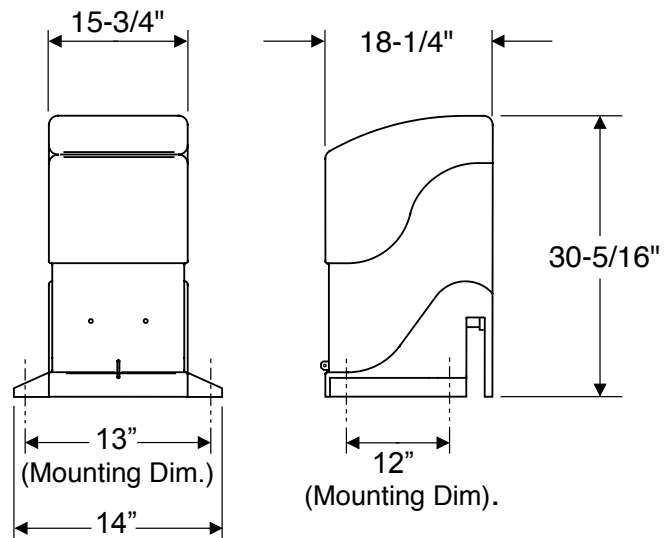
CSG

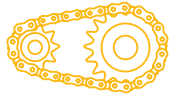


HORSEPOWER	1/2	MAX GATE WIDTH	40 FT
POWER OPTIONS	115V, 1PH	MAX CYCLES	60 CPH
BATTERY BACKUP	OPTIONAL	TRAVEL SPEED	11 INCHES/SEC.
MAX GATE WEIGHT	1500 LBS	SHIPPING WEIGHT (APPROX.)	150 LBS

PowerMaster Model CSG Vehicular Slide Gate Operator. For high traffic applications. Ideal for custom homes, apartments, self storage and other commercial properties. Available in AC or DC.

- Battery Backup in DC version
- 1/2 HP motor
- Soft start/Soft stop
- Easy set limits
- Left/Right changeover in field
- AC power outlets
- Accepts plug-in loop detectors
- Pad mountable



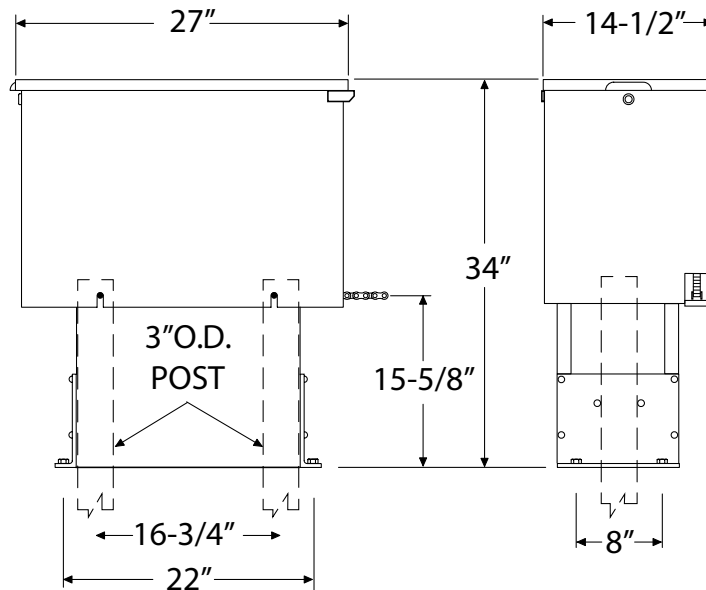


SG & D-SG

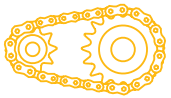


PowerMaster Model SG is available in 1Ø or 3Ø configuration. The **D-SG Model** is available in a 115v 1Ø configuration only. The D-SG uses a DC motor with battery backup, soft start/soft stop, and an AC power outlet.

Both versions of this unit feature an onboard three button control station, timer to close, and an easy left/right changeover in the field. They also have a padlockable drive disconnect with brass slide for manual operation in case of power failure. The SG and D-SG are post or pad-mountable for easy installation.



	SG	D-SG
HORSEPOWER	1/2 TO 1.5	1/2 HP DC
POWER OPTIONS	115V, 230V, 460V	115V, 1Ø
BATTERY BACKUP	NO	YES
MAX GATE WEIGHT	1500 LBS	2000 LBS
MAX GATE WIDTH	50 FT	50 FT
MAX CYCLES	30 CPH	60 CPH
TRAVEL SPEED	9 INCHES/SEC.	9 INCHES/SEC.
SHIPPING WEIGHT (APPROX)	235 (WITH PLATFORM)	245 (WITH PLATFORM)



SLIDE GATE OPERATORS

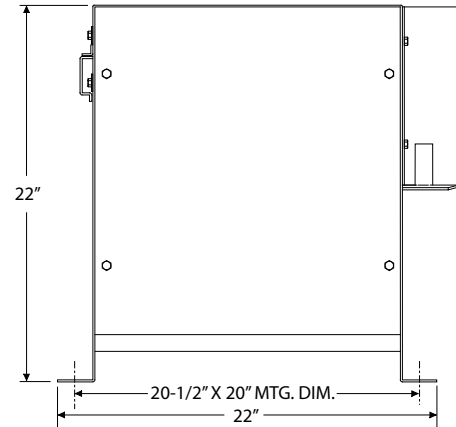
SGI



HORSEPOWER	3/4 - 2	MAX GATE WIDTH	80 FT
POWER OPTIONS	115V, 230V, 460V	MAX CYCLES	45 CPH
BATTERY BACKUP	NO	TRAVEL SPEED	9 INCHES/SEC.
MAX GATE WEIGHT	2000 LBS	SHIPPING WEIGHT (APPROX.)	360 LBS

PowerMaster Model SGI Slide Gate Operator. Designed for use in Commercial, Industrial and Restricted Access applications.

- Timer to Close
- Dual gate option
- Left/Right changeover in field
- Padlockable drive disconnect for manual operation
- Pad mountable for a strong, solid installation
- Optional 18" riser

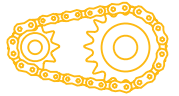


SAFETY FIRST!



PowerMaster carries a full line of safety and convenience products for your application. In addition to required photo eyes and beams, we can supply any of the following from our stock:

- WARNING LIGHTS
- WARNING HORNS
- ROTATING BEACONS
- CAR SENSING PROBES
- LOOP DETECTORS
- KEYPADS
- PROXIMITY READERS
- ADA-COMPLIANT BUZZERS AND STROBES



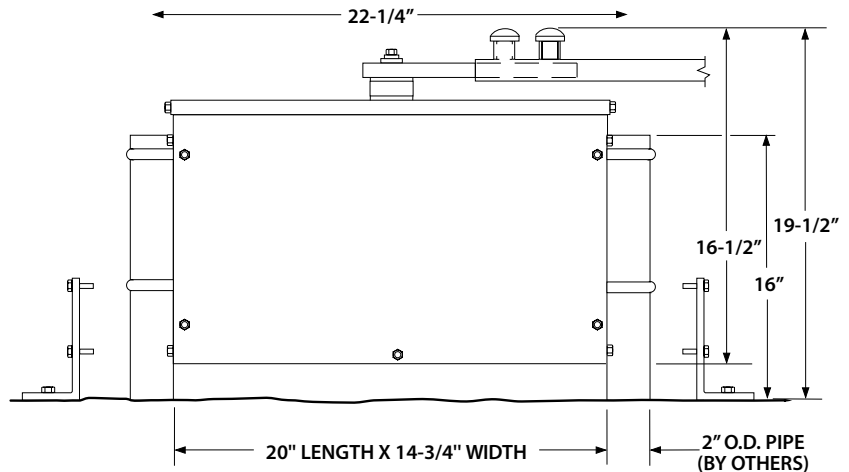
MSW



HORSEPOWER	1/2	MAX GATE WIDTH	16 FT
POWER OPTIONS	115V	MAX CYCLES	24 CPH
BATTERY BACKUP	NO	TRAVEL SPEED	12 SEC. TO OPEN/CLOSE
MAX GATE WEIGHT	800 LBS	SHIPPING WEIGHT (APPROX.)	103 LBS

PowerMaster Model MSW Swing Gate Operator. Designed for use on industrial vehicular swinging gates.

- PSC motor
- Timer to Close
- Dual gate option
- Left/Right changeover in field
- Drive arm disconnects for manual operation



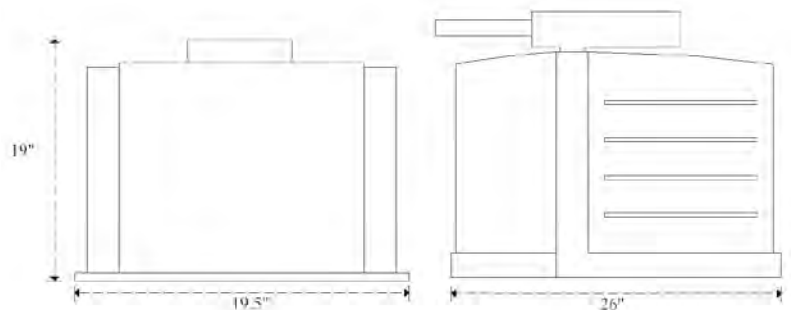
D-SW

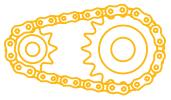


HORSEPOWER	1/2 HP DC	MAX GATE WIDTH	18 FT
POWER OPTIONS	115V	MAX CYCLES	60 CPH
BATTERY BACKUP	YES	TRAVEL SPEED	90° IN 15 SEC.
MAX GATE WEIGHT	2000 LBS	SHIPPING WEIGHT (APPROX.)	160 LBS

PowerMaster Model D-SW Swing Gate Operator with DC motor. Designed for use in high traffic areas.

- Battery Backup
- 1/2 HP, 24 VDC Motor
- Soft start/Soft stop
- Easy set limits
- AC Power outlets
- Accepts plug-in loop detectors
- Optional 18" riser
- Arm attachment height is 17" from operator base





SWING GATE OPERATORS

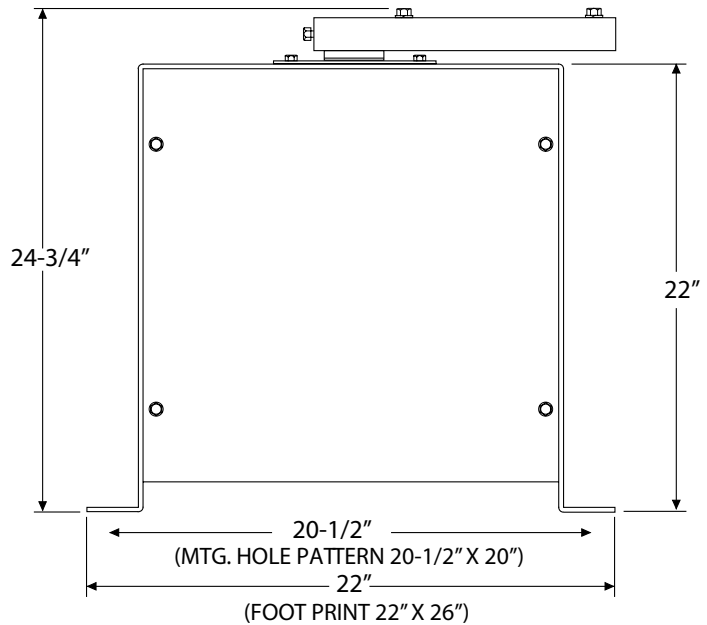
CSWI & D-SWI



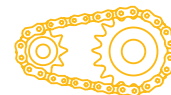
**OPTIONAL RISER
AVAILABLE**

PowerMaster Models CSWI and D-SWI are industrial swing gate operators designed for use in high traffic applications. The CSWI is available in 1Ø or 3Ø configuration. The D-SWI Swing Gate Operator with DC motor is available in a 115v 1Ø configuration only. Standard features include a battery backup, soft start/soft stop, and an AC power outlet.

Both versions of this unit have a timer to close, dual gate option, and left/right changeover in the field. The drive arm is also easily disconnected for manual operation.



	CSWI	D-SWI
HORSEPOWER	3/4 TO 2	1/2HP DC
POWER OPTIONS	115V, 230V, 460V	115V, 1Ø
BATTERY BACKUP	NO	YES
MAX GATE WEIGHT	1800 LBS	2000 LBS
MAX GATE WIDTH	30 FT	30 FT
MAX CYCLES	45 CPH	60 CPH
TRAVEL SPEED	18 SECONDS TO OPEN/CLOSE	18 SECONDS TO OPEN/CLOSE
SHIPPING WEIGHT (APPROX)	350 (WITH PALLET)	350 (WITH PALLET)



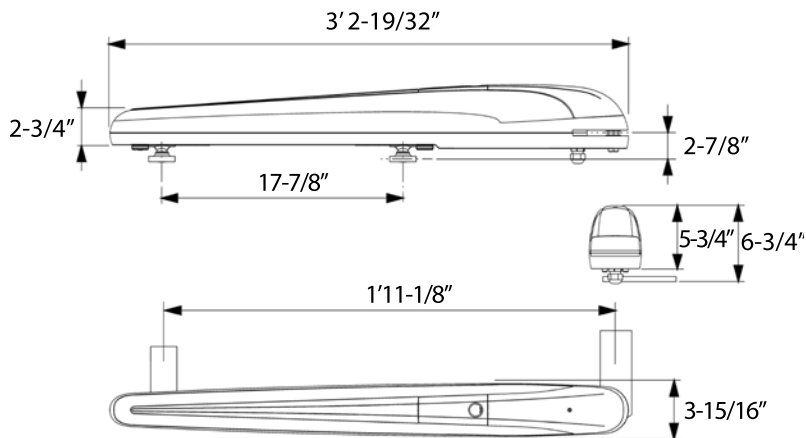
ASW



HORSEPOWER	1/2 HP DC	MAX GATE WIDTH	15FT
POWER OPTIONS	115V	MAX CYCLES	45 CPH
BATTERY BACKUP	YES	TRAVEL SPEED	15 SEC. TO OPEN/CLOSE
MAX GATE WEIGHT	800 LBS	SHIPPING WEIGHT (APPROX.)	75 LBS

PowerMaster Model ASW Swing Gate Operator with DC motor. Controls vehicular gates in moderate traffic and residential applications. Ideal for custom homes, self storage, and other commercial properties.

- Battery Backup - Up to 600 cycles on fully charged batteries when AC power is out
- 1/2 HP, 24 VDC Motor
- Soft start/Soft stop
- Single or Dual gate mode
- AC Power outlets
- Accepts plug-in loop detectors



POWERMASTER TRANSMITTERS & KEYPAD

TRANSMITTERS

- Rolling Code Transmitters
- Self-Learning Remote Technology

Working voltage: 12-24 VAC/DC

Temperature range: -4 °F to 140 °F

Working frequency: 433.92 MHz

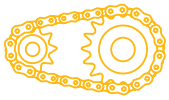
KEYPAD

- 2 Channel Capability
 - One 6-digit code per channel
- Battery Operated

Working frequency: 433.92 MHz



Receiver accepts up to 30 transmitters



BARRIER GATE OPERATORS

D-SBG



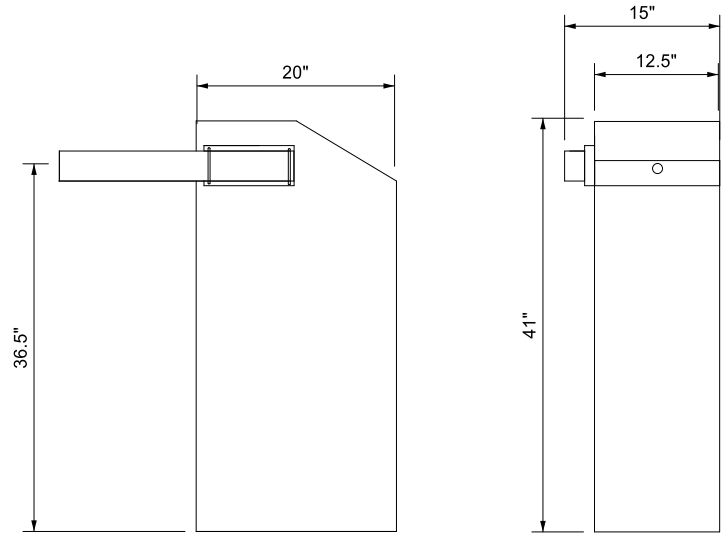
LIGHTED ARM OPTION AVAILABLE

HORSEPOWER	1/2 HP DC	MAX CYCLES	100 CPH
POWER OPTIONS	115V	TRAVEL SPEED (APPROX.)	90° IN 4 SEC.
BATTERY BACKUP	YES	SHIPPING WEIGHT (APPROX.)	250 LBS*
MAX ARM LENGTH	16 FT		

*Weight may vary based on arm length.

PowerMaster Model D-SBG Single Arm Barrier Gate Operator with DC motor.

- Battery Backup - Up to 200 cycles on fully charged batteries when AC power is out
- 1/2 HP, 24 VDC Motor
- Continuous duty operation
- Low battery shut down position selection (open/close)
- Accepts plug-in loop detectors



D-WBG

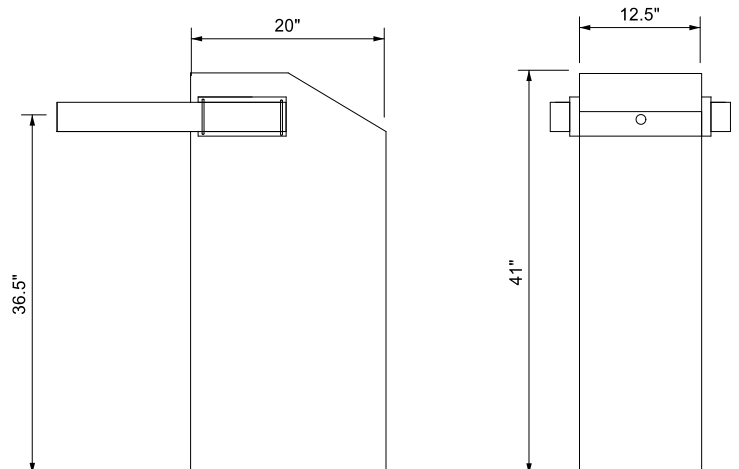


HORSEPOWER	1/2 HP DC	MAX CYCLES	25 CPH
POWER OPTIONS	115V	TRAVEL SPEED (APPROX.)	90° IN 7 SEC.
BATTERY BACKUP	YES	SHIPPING WEIGHT (APPROX.)	400 LBS*
MAX ARM LENGTH	24 FT		

*Weight may vary based on arm length.

PowerMaster Model D-WBG Wishbone Arm Barrier Gate Operator with DC motor.

- Battery Backup - Up to 200 cycles on fully charged batteries when AC power is out
- 1/2 HP, 24 VDC Motor
- Continuous duty operation
- Low battery shut down position selection (open/close)
- Accepts plug-in loop detectors





WEIGHT RESOURCE GUIDE

Door Operators

Gate Operators

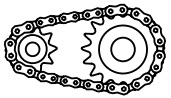
MODEL	(COMMENTS)	WEIGHT	MODEL	(COMMENTS)	WEIGHT
GJ		50	MSW		103
MG (to 1HP)		111	DSW		160
MG (to 2 HP)		141	CSWI / D-SWI		315
MG (3HP)		254	ASW W/BATTERY BOX		55
MG (5HP)		600	RSG		90
MG (7HP)		700	D-CSG		150
WMG		150	SG		205
EMG		145	SG PLATFORM		31
H		90	SIG		360
J		78	D-SG		205
MH		75	D-SBG		215
MJ		68	D-WBG		215
CH		111			
CJ		93			
T		75			
MT		52			
CT		95			
APT		83			
SL		112			
GSL		200			
CGH		150			
GT		113			
WGT		150			
EGT		157			

Note: This is *raw weight* of unit. Please see operator descriptions for shipping weight.

ARM, WOOD, SBG	30
ARM, ALUM 12' FOR SBG	30
ARM, TUBE 12' OR 16' FOR SBG	16
ARM, WOOD FOR WBG	50
WEIGHT: SINGLE	21
WEIGHT: DOUBLE	42

TRACK & CHAIN GUIDE

Length / Pitches			Weight (lbs)		
Door Height (ft)	Chain Length (ft)	# of Pitches	Track	#65 chain	#41 chain
8	23	555	40	4.50	5.75
10	27	651	45	5.25	7.00
12	31	747	51	6.00	8.25
14	35	843	58	6.75	9.50
16	39	939	65	7.50	10.75
18	43	1035	71	8.25	12.00
20	47	1131	78	9.00	13.25
22	51	1227	85	9.75	
24	55	1323	102	10.50	
26	59	1419	120	11.25	

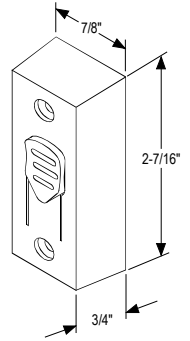


NEMA 1 CONTROLS

1R



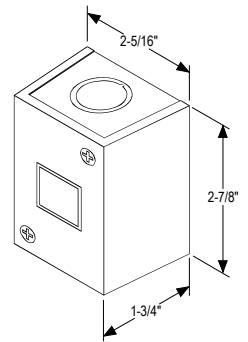
1 N.O. Momentary Contact
Plastic Housing
H - 2.44" W - 0.87" D - 0.75"



1B



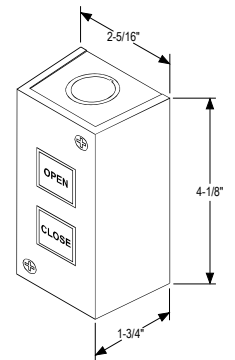
1 N.O. Momentary Contact
Sheet Metal Housing
H - 2.87" W - 2.31" D - 1.75"



2B



OPEN (N.O.) - CLOSE (N.O.)
Momentary Contact
Sheet Metal Housing
H - 4.13" W - 2.31" D - 1.75"

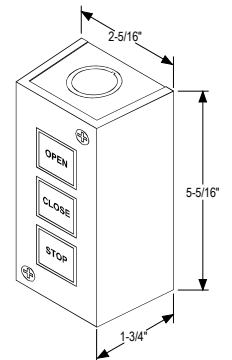


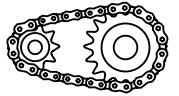
3B/3BU



3B
OPEN (N.O.) - CLOSE (N.O.) - STOP (N.C.)
Momentary Contact
Sheet Metal Housing
H - 5.31" W - 2.31" D - 1.75"

3BU
OPEN (N.O.) - CLOSE (N.O.) - STOP (N.O. + N.C.)
Momentary Contact
Sheet Metal Housing
H - 5.31" W - 2.31" D - 1.75"

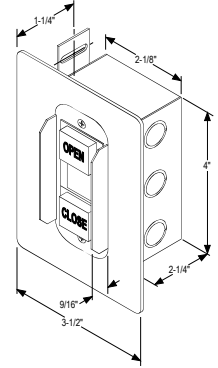




2BF



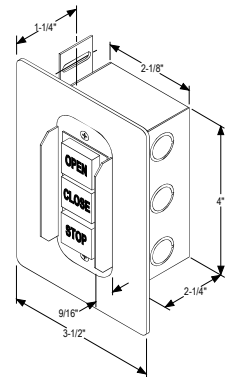
OPEN (N.O.) - CLOSE (N.O.)
Momentary Contact
Aluminum Faceplate
Steel Back Box



3BF



OPEN (N.O.) - CLOSE (N.O.) - STOP (N.C.)
Momentary Contact
Aluminum Faceplate
Steel Back Box

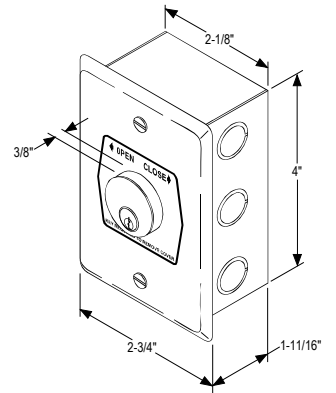


HBF



Keyed OPEN (N.O.) - CLOSE (N.O.)
Momentary Contact
Center Return

Stainless Steel Faceplate: H - 4.5" x W - 2.75"
Steel Back Box: H - 4.0" W - 2.12" D - 2.75"

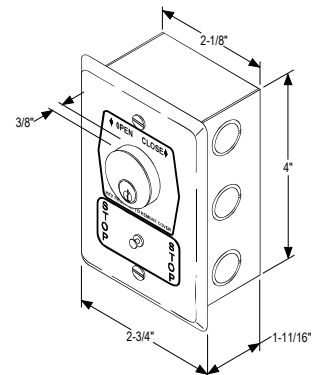


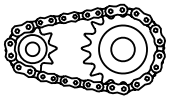
HBFS



Keyed OPEN (N.O.) - CLOSE (N.O.)
Stop Button (N.C.)
Momentary Contact
Center Return

Stainless Steel Faceplate: H - 4.5" x W - 2.75"
Steel Back Box: H - 4.0" W - 2.12" D - 2.75"





NEMA 1 CONTROLS

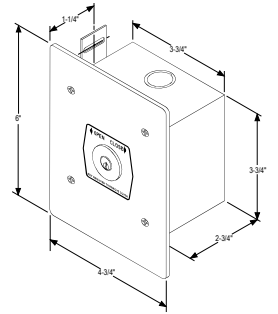
1KF



Keyed OPEN (N.O.) - CLOSE (N.O.)
Momentary Contact, Center Return
Yale Keyway Mortise Cylinder Standard

Aluminum Faceplate: H - 6"W - 4.75"
Steel Back Box: H - 3.75"W - 3.75" D - 2.75"

Specify Single, Keyed alike or Keyed in pairs.



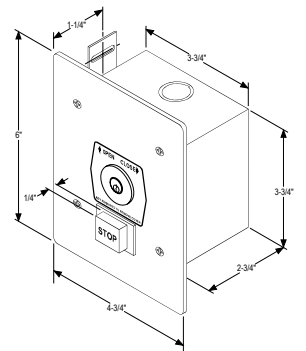
1KFS



Keyed OPEN (N.O.) - CLOSE (N.O.)
Stop Button (N.C.)
Momentary Contact
Center Return

Yale Keyway Mortise Cylinder Standard
Aluminum Faceplate: H - 6"W - 4.75"
Steel Back Box: H - 3.75"W - 3.75" D - 2.75"

Specify Single, Keyed alike or Keyed in pairs.

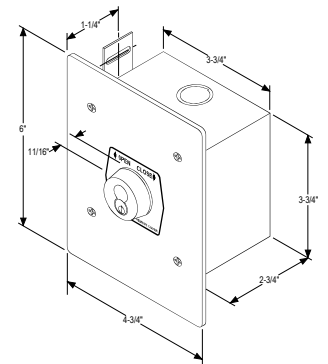


1KF-IC



Keyed OPEN (N.O.) - CLOSE (N.O.)
Momentary Contact,
Center Return Interchangeable Core
Mortise Cylinder. Accepts 7 Pin Best Core.
Also available w/STOP button (1KFS-IC)

Aluminum Faceplate: H - 6"W - 4.75"
Steel Back Box: H - 3.75"W - 3.75" D - 2.75"



INTERLOCK SWITCH / MID-STOP

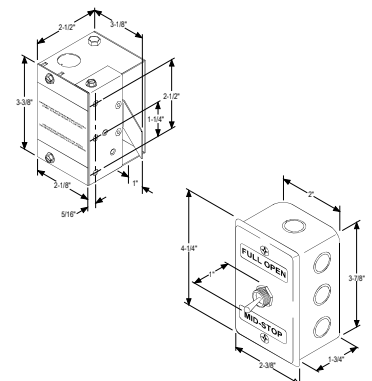


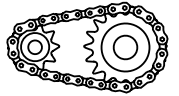
Interlock Switch

IS-1 for Pass Door
IS-2 for Sectional Door
IS-3 for Rolling Steel Door or Grille
H - 3.37" W - 2.13" D - 2.50"

Mid-Stop Switch

Use to stop door partially open or full open.
Steel Faceplate: H - 4.25" W - 2.38"
Steel Black Box: H - 3.87" W - 2.00" D - 1.75"





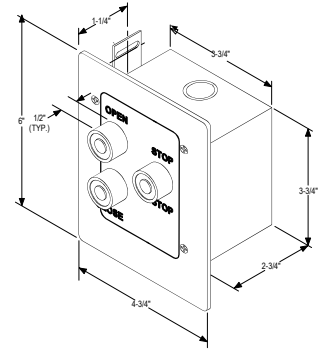
3BFX/3BFXL



3BFX
 OPEN (N.O.) - CLOSE (N.O.) - STOP (N.C.)
 Momentary Contact

3BFXL
 OPEN (N.O.) - CLOSE (N.O.) - STOP (N.C.)
 w/Keyed Lockout Momentary Contact Buttons
 Maintained Contact ON-OFF Cylinder (not shown)

Aluminum Faceplate H - 6.00" W - 4.75"

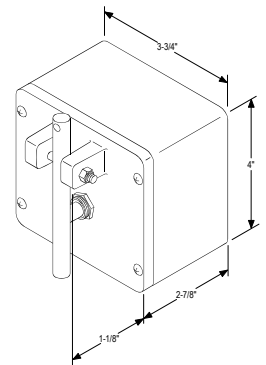


CP-1 / CP-2



CP-1 - Exterior Ceiling Pull Switch
 SPST Momentary Contact
 Aluminum Enclosure
 H - 4.00" W 3.75" D - 2.87"

CP-2 - Exterior Ceiling Pull Switch
 DPST Momentary Contact
 Aluminum Enclosure
 H - 4.00" W - 3.75" D - 2.87"



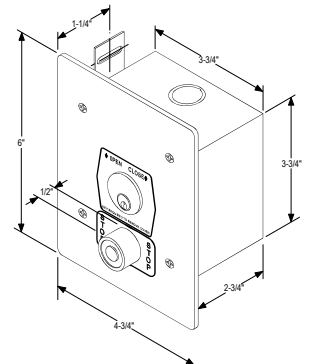
1KFX / 1KFXS



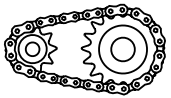
Keyed OPEN (N.O.) - CLOSE (N.O.)
 STOP Button (N.C.)
 Momentary Contact
 Center Return Yale Keyway Mortise Cylinder Std
(Also available w/o Stop as 1KFX)

Aluminum Faceplate: H-6"W - 4.75"
 Steel Black Box: H - 3.75"W - 3.75" D - 2.75"

Specify Single, Keyed alike or Keyed in pairs.



We offer a full line of access controls, telephone entry systems, intercom systems, loop detectors, motion sensors and safety devices for every installation. We will build your combination reversing starters and fused disconnect switches in any NEMA configuration, and specialize in custom control panels that are delivered quickly.



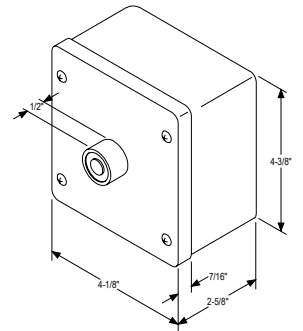
NEMA 4 CONTROLS

1BX



Powder Coated Aluminum Enclosure
Single Button (N.O.)
Momentary Contact Standard

H - 4.37" W - 4.12" D - 2.62"

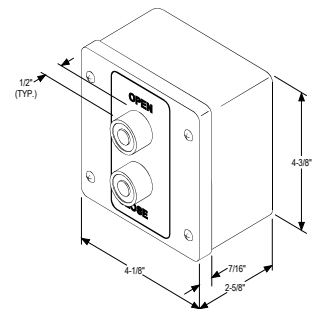


2BX



Powder Coated Aluminum Enclosure
OPEN (N.O.) - CLOSE (N.O.)
Momentary Contact

H - 4.37" W - 4.12" D - 2.62"

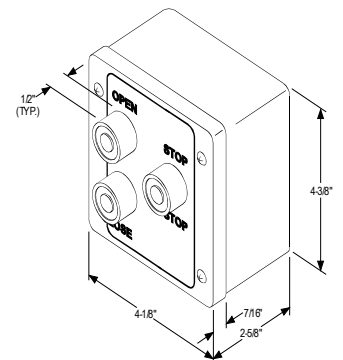


3BX



Powder Coated Aluminum Enclosure
OPEN (N.O.) - CLOSE (N.O.) - STOP (N.C.)
Momentary Contact

H - 4.37" W - 4.12" D - 2.62"

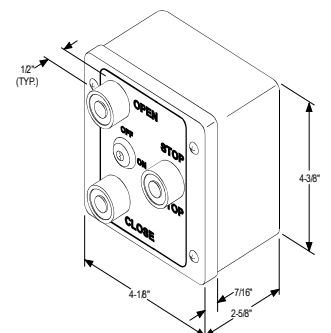


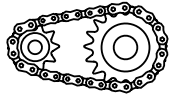
3BXL



Powder Coated Aluminum Enclosure
OPEN (N.O.) - CLOSE (N.O.) - STOP (N.C.)
ON-OFF Cylinder Maintained Contact

H - 4.37" W - 4.12" D - 2.62"

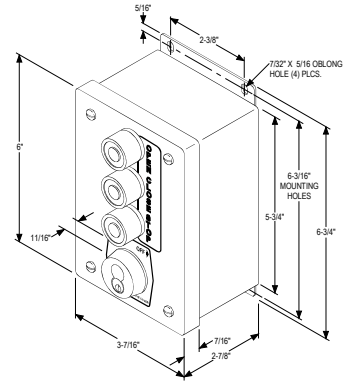




3BLM



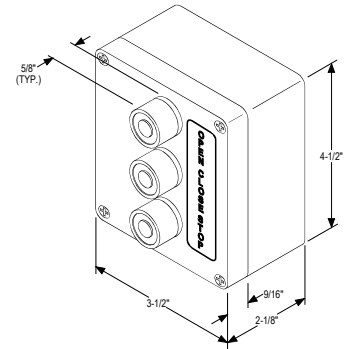
Powder Coated Steel Enclosure
 OPEN (N.O.) - CLOSE (N.O.) - STOP (N.C.)
 Momentary Contact
 ON-OFF Mortise Cylinder Center Return
 Available with standard Yale Keyway
 or Interchangeable Core Cylinder as shown.



3B4X



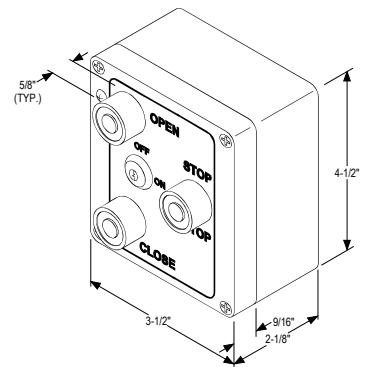
NEMA 4X
 OPEN (NO) - CLOSE (N.O.) - STOP (N.C.)
 Momentary Contact
 Grey Polycarbonate Enclosure
 H - 4.50" W - 3.50" D - 2.12"



3B4XL



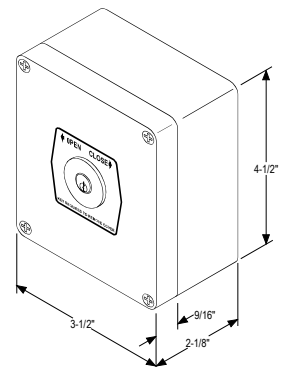
NEMA 4X
 OPEN (N.O.) - CLOSE (N.O.) - STOP (N.C.)
 Momentary Contact
 ON-OFF Cylinder Maintained Contact
 Grey Polycarbonate Enclosure
 H - 4.50" W - 3.50" D - 2.12"

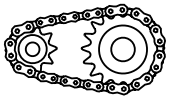


1K4X / 1K4XS



OPEN (N.O.) - CLOSE (N.O.)
 Momentary Contact spring return to center
 Grey Polycarbonate Enclosure
 H - 4.50" W - 3.50" D - 2.12"
 Available w/ STOP (1K4XS)





NEMA 4 CONTROLS

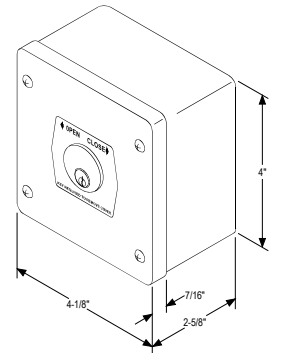
1KX



Keyed OPEN (N.O.) - CLOSE (N.O.)
Momentary Contact, Center Return
Yale Keyway Mortise Cylinder Standard
Powder Coated Aluminum Enclosure

H - 4.37" W- 4.12" D - 2.62"

Specify Single, Keyed alike or Keyed in pairs.



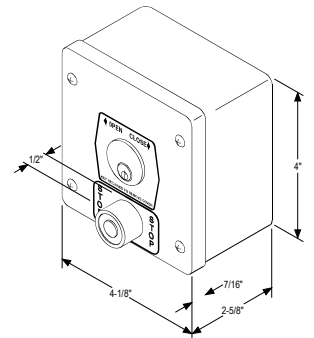
1KXS



Keyed OPEN (N.O.) - CLOSE (N.O.)
Momentary Contact, Center Return
Yale Keyway Mortise Cylinder Standard
Stop Button (N.C.) Momentary Contact
Powder Coated Aluminum Enclosure

H - 4.37" W- 4.12" D - 2.62"

Specify Single, Keyed alike or Keyed in pairs.

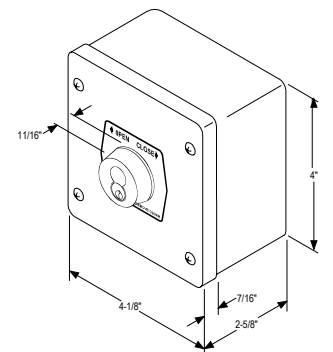


1KX-IC



Keyed OPEN (N.O.) - CLOSE (N.O.)
Momentary Contact, Center Return
Interchangeable Core Mortise Cylinder
Accepts 7 Pin Best Core.
Powder Coated Aluminum Enclosure

H - 4.37" W- 4.12" D - 2.62"

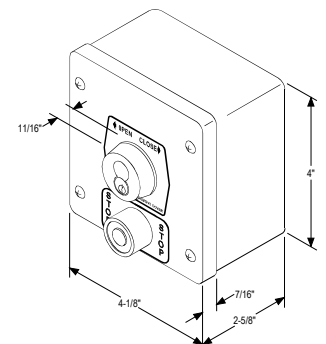


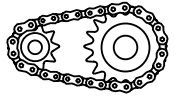
1KXS-IC



Keyed OPEN (N.O.) - CLOSE (N.O.)
Momentary Contact, Center Return
Interchangeable Core Mortise Cylinder
Accepts 7 Pin Best Core.
Stop Button (N.C.) Momentary Contact
Powder Coated Aluminum Enclosure

H - 4.37" W- 4.12" D - 2.62"

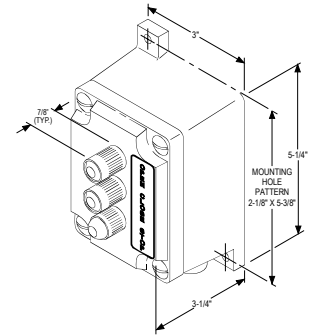




3EBX



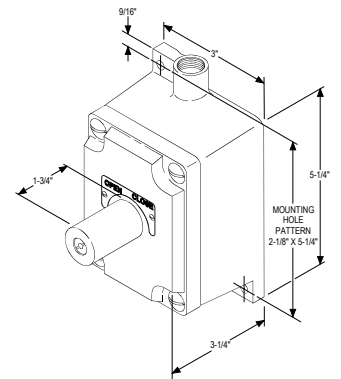
NEMA 7 & 9
 OPEN (N.O.) - CLOSE (N.O.) - STOP (N.C.)
 Momentary Contact
 Powder Coated Aluminum Enclosure
 H - 5.37" W - 3.00" D - 3.25"



1EKX



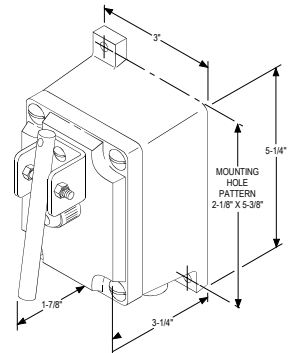
NEMA 7 & 9
 Explosion Proof Key Station
 OPEN - CLOSE
 Momentary Contact
 Center Return
 Powder Coated Aluminum Enclosure
 H - 5.37" W - 3.00" D - 3.25"



CP2X



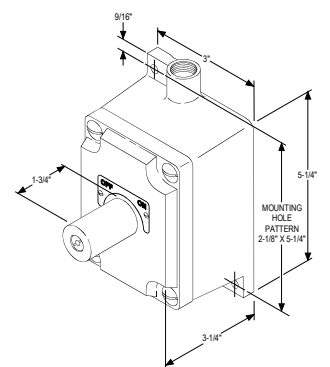
NEMA 7 & 9
 Explosion Proof Ceiling Pull Switch
 DPST Momentary Contact
 Powder Coated Aluminum Enclosure
 H - 5.37" W - 3.00" D - 3.25"



1EKXL



NEMA 7 & 9
 Explosion Proof OFF - ON
 Maintained Keyed Lockout
 Key removable in both positions
 Powder Coated Aluminum Enclosure
 H - 5.37" W - 3.00" D - 3.25"





ASSEMBLED IN THE U.S.A.

REV 2021-0310